



# PIZZA OVEN



Jet Air Pizza Oven, Electric, 3 Decks, Each Deck 30" x 21" x 4 3/4", Capacity (3) 18" Pizzas, Full View Glass Doors, Interior Lights, Stainless Steel Construction, cETLus, NSF



PROJECT \_\_\_\_\_

ITEM NO. \_\_\_\_\_

NOTES \_\_\_\_\_

MODEL NUMBER: **PIZ3 , PIZ3G**



\*SHOWN WITH OPTIONAL STAND

### FEATURES

- Multipurpose Oven
- Temperature Control up to 600°F (315°C)
- Preheats in 15 minutes
- Digital Reminder Timer
- Large Baking Capacity (3 Baking Decks)
- Direct Baking on Nickel Coated Perforated Decks
- Door Switch Cutoff for Fan Blower
- Jet Air Exclusive Patented Reversing Fan System
- Capacity: [3] 18" (457 mm) Pizzas

### CONSTRUCTION

- Stainless Steel Construction
- Full View Thermos Glass Door
- Fully Illuminated
- Easy Open & Close Drop Down Door

### OPTIONS & ACCESSORIES

- Stainless Steel Stand on Swivel Casters (PIZ3B)
- Steam Option (Electric Only)
- 3 Extra Digital Timers
- Gas Quick Disconnect Kit: 4' (1200mm); includes flexible hose, ball and securing device (GAH600)

### WARRANTY

- Two Year Parts & One Year Labor



Model	Crated Weight	Overall Dimensions			Interior Dimensions			Door Opening (3)
		W	D	H	W	D	H	
PIZ3	560	35 7/8"	40 1/2"	34 1/4"	30"	21"	4 3/4"	30" x 5" (762 x 127)
	(254)	(911)	(1029)	(870)	(762)	(533)	(121)	
PIZ3G	610	35 7/8"	45 1/4"	34 1/4"	30"	21"	4 3/4"	30" x 5" (762 x 127)
	(277)	(911)	(1149)	(870)	(762)	(533)	(121)	

SPECIFICATIONS SUBJECT TO CHANGE WITHOUT NOTICE

KCL & REVIT DRAWINGS UPON REQUEST

REVISION A | 4/20/2021

Follow Us



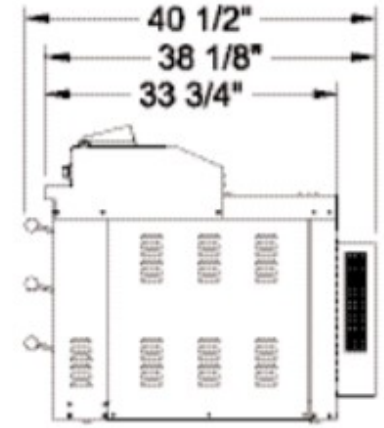
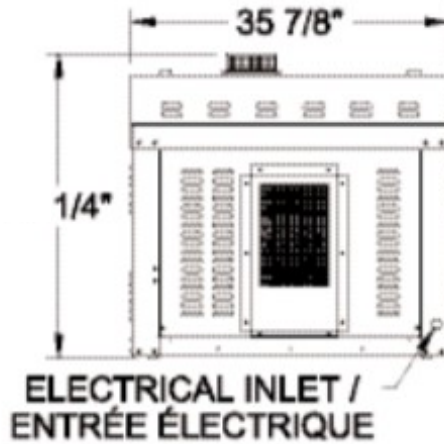
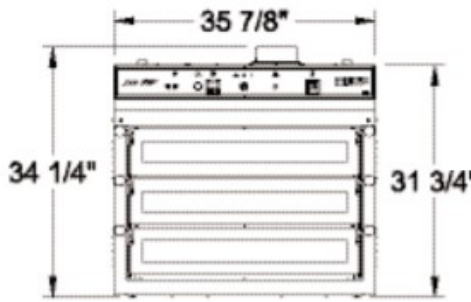
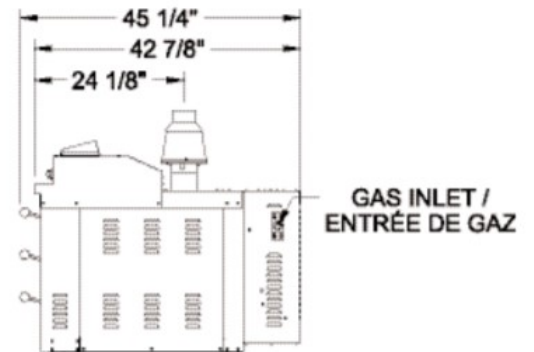
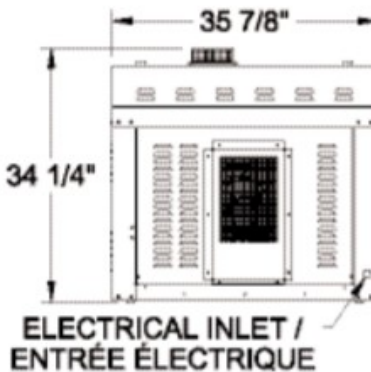
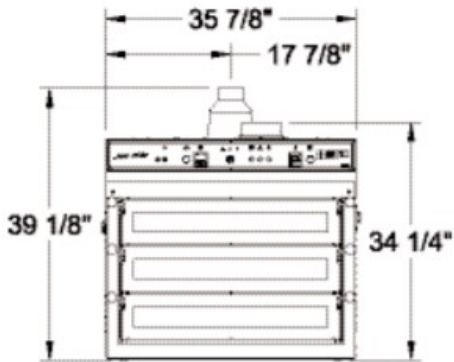
Doyon

5600 13th Street, Menominee, MI 49858

906.863.4401 | 800.338.9886 | www.doyon.qc.ca



## DRAWINGS

**PIZ3**

**PIZ3G**


## ELECTRICAL & GAS SYSTEMS

Model	Gas System			Electrical System						
	BT-U	D.H.	G.I.	Volts	Phases	Amps	kW	Wires*	Hz	NEMA
PIZ3	-	-	-	120/208	1/3	39/25	8.2	3/4	60	-
				120/240	1/3	34/20	8.2	3/4	60	
PIZ3G	70,000	4" (201)	1/2" (13)	120	1	12	1.4	2	60	5-15P

Recommended Gas Pressure | Propane Gas: 11" W.C. Natural Gas: 7" W.C.

